

Series CER

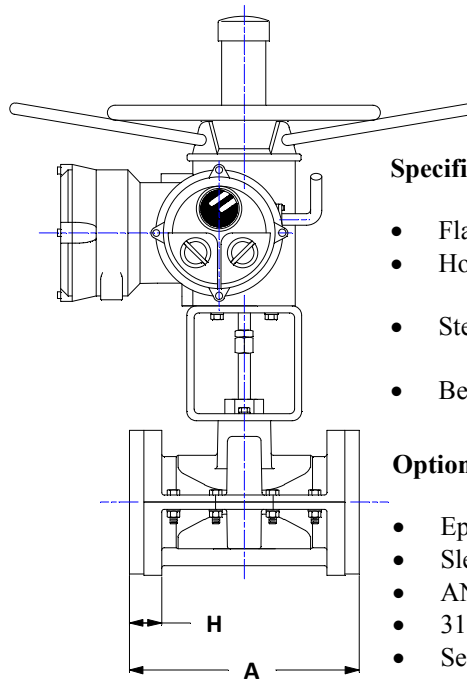
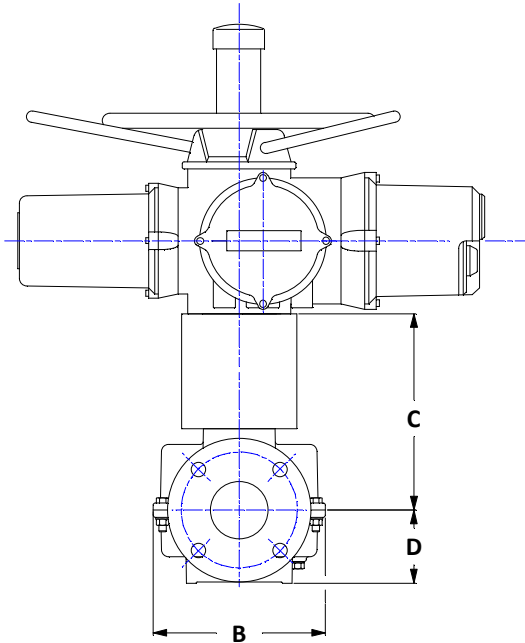
Full Round, Single Pinch, Enclosed Construction, Electric Actuator Operated

- Low pressure drop
- No packing
- Drop tight closure
- On/Off or throttling service
- Long lasting compression molded sleeve

Applications: Ideal for automatic control of abrasive, viscous, and corrosive fluids including wastewater, mine slurry, chemicals, cement, pulp, powder and pellets.

Operation: The CER is a full round, single pinch electric operated valves. An electric motor drives a single pinch bar from the top against the rubber sleeve to pinch off flow.

Construction: Actuators are available with single and 3-phase motors. All electric actuators are supplied with an auxiliary hand wheel. 3-phase actuators come with reversing contactors, power supply, limit and torque switches, push buttons, selector switches and pilot lights.



Specifications:

- Flanges: ANSI STD 125/150 lbs.
- Housing: Cast iron, ASTM A48, Class 35
- Stem & Pinch bar: 303 stainless steel
- Bearing: Bronze alloy

Options:

- Epoxy paint
- Sleeve elastomer
- ANSI STD 300lbs. Flange
- 316 stainless steel stem
- Secondary containment package
- Positioners
- Limit switches

All dimensions are in inches.

| SIZE | 1/2 | 3/4 | 1 | 1-1/2 | 2 | 2-1/2 | 3 | 4 |
|--------|---------|------|------|-------|------|---------|-------|-------|
| A | 4.25 | 5.50 | 5.50 | 6.50 | 7.00 | 7.50 | 12.00 | 13.87 |
| B | 3.75 | 3.87 | 4.75 | 5.25 | 6.25 | 9.25 | 9.00 | 13.50 |
| C | 4.93 | 5.06 | 7.34 | 7.62 | 7.00 | 10.00 | 10.25 | 12.56 |
| D | 1.93 | 2.00 | 2.18 | 2.56 | 3.06 | 3.56 | 3.81 | 4.62 |
| H | 0.69 | 0.75 | 0.84 | 0.97 | 1.12 | 1.25 | 1.69 | 1.68 |
| P Max | 200 psi | | | | | 175 psi | | |
| Wt, Lb | 10 | 12 | 15 | 21 | 27 | 35 | 47 | 100 |